

P-49

Package number P49/068

MIDDELMODERN 3,0X2,0+2,0

Manual

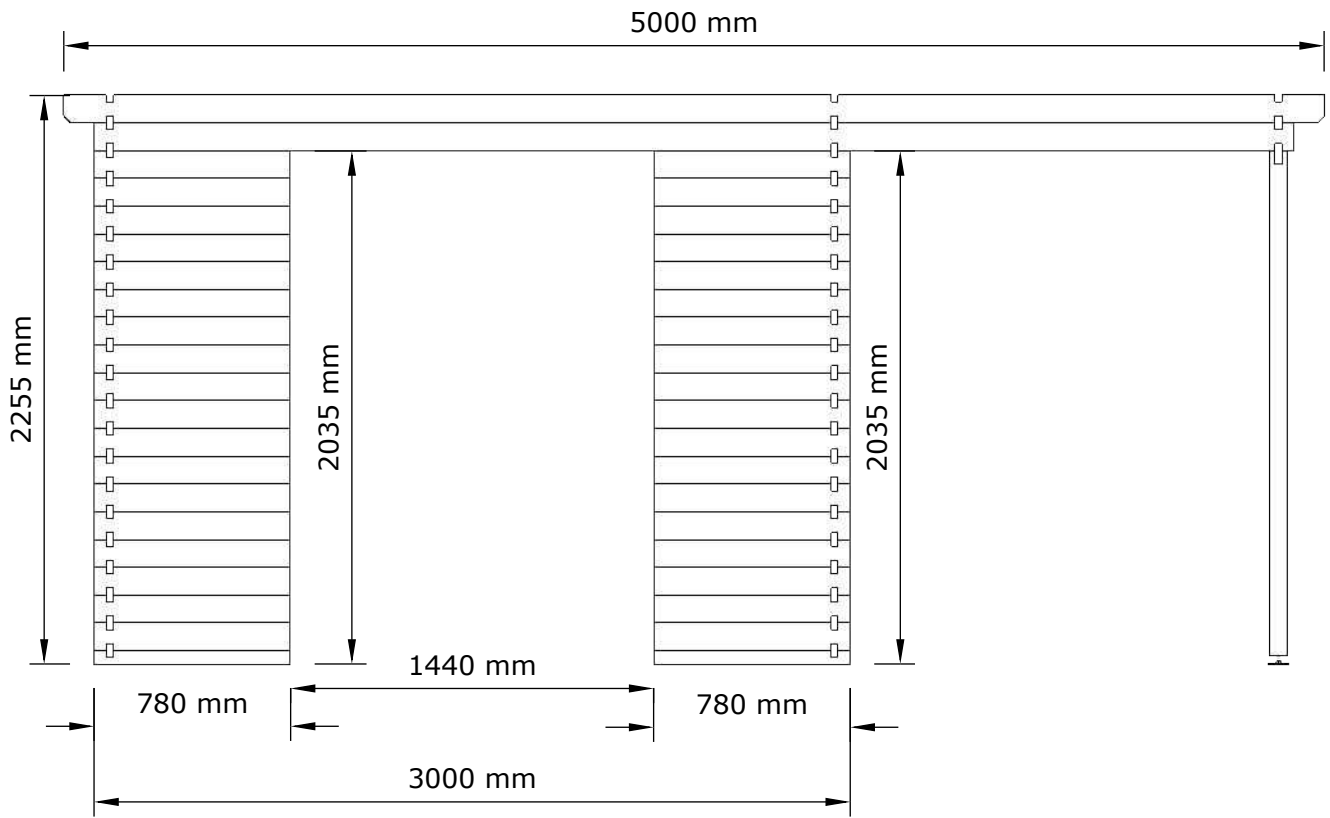


QC checked

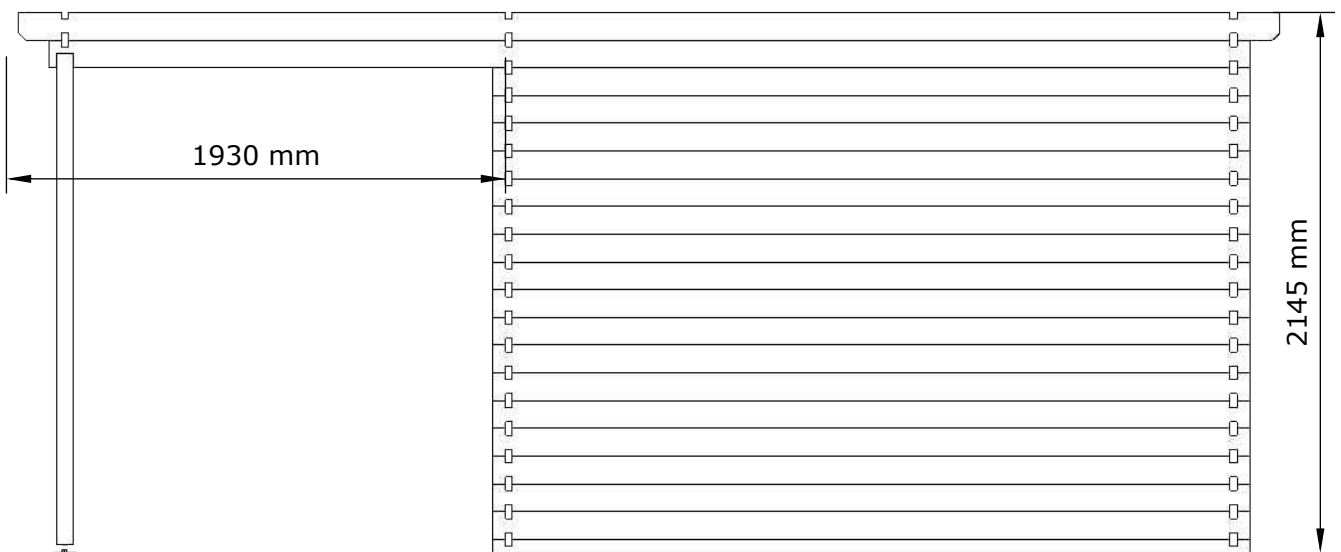
MIDDELMODERN 3X2+2 LIST 28mm

Pos	Size, mm			Quantity		Destination
	h	b	l			
3	28	55	3000	1		Wall B
3a	28	55	780	2		Wall A
4	28	110	3000	17		Wall B
5	28	110	780	36		Wall A
6	28	110	2000	36		Wall C,D
7	28	110	4760	2		Wall A,B
7a	28	110	5000	2		Wall A,B
8	28	311	2240	3		Vault
9	44	140	5000	1		Rafter
10	16	90	2243	57		Roof board
11	16	90	3072	2		Wall A,B
11.1	16	90	3072	2		Wall A,B
11a	16	90	2256	2		Wall C,D
11a.1	16	90	2256	2		Wall C,D
11b	16	90	1960	2		Wall A,B
11b.1	16	90	1960	2		Wall A,B
12	28	50	170	6		Wall A,B
12a	16	65	180	6		Wall B
13	70	70	2250	2		Pillar
				2		Pillar support (metal)
16	16	90	1760	2		
16a	16	65	1985	4		

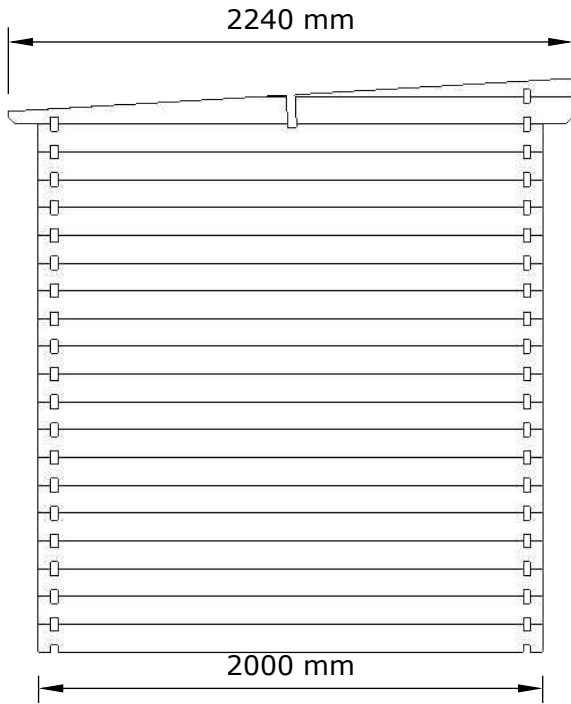
Wall A



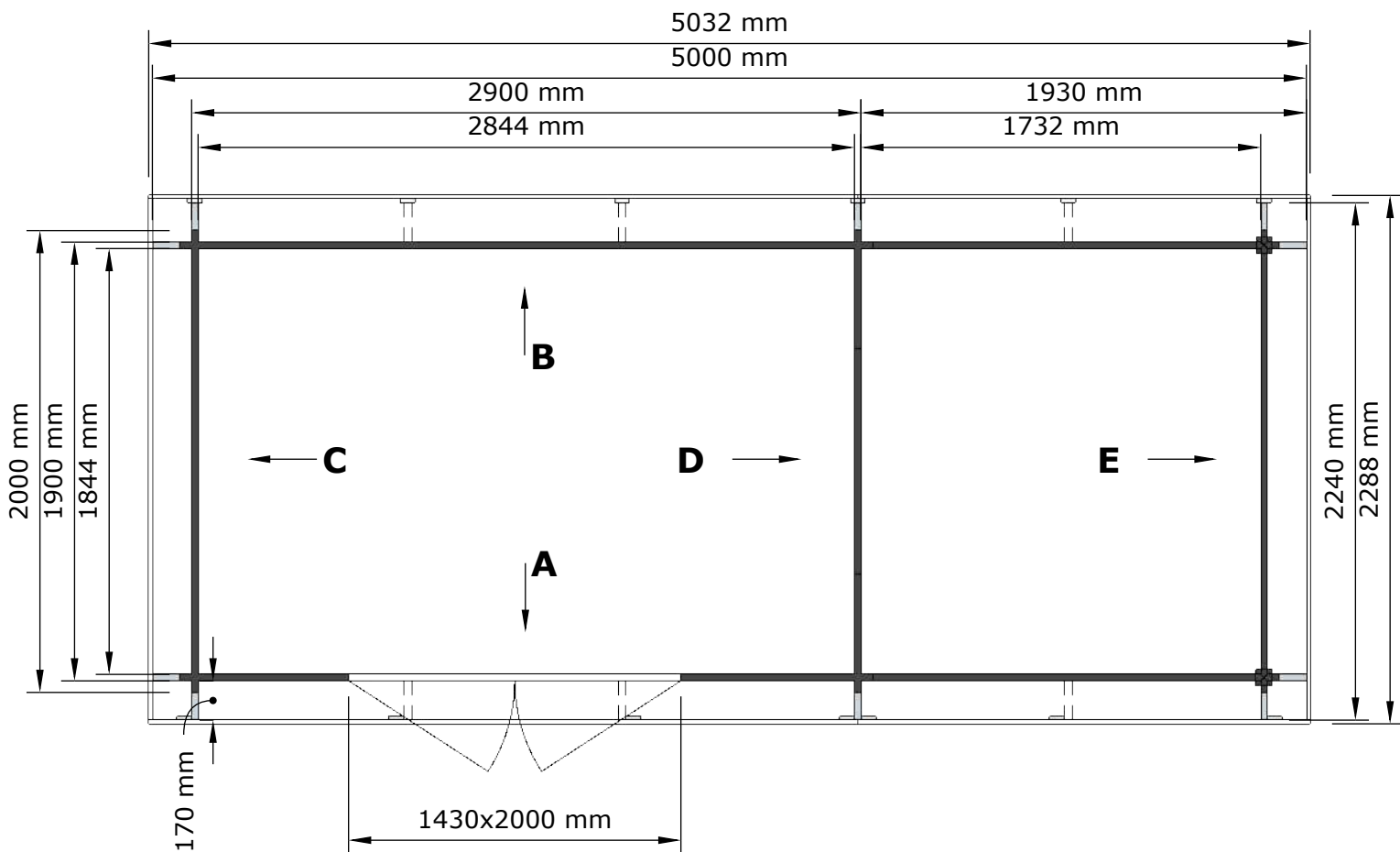
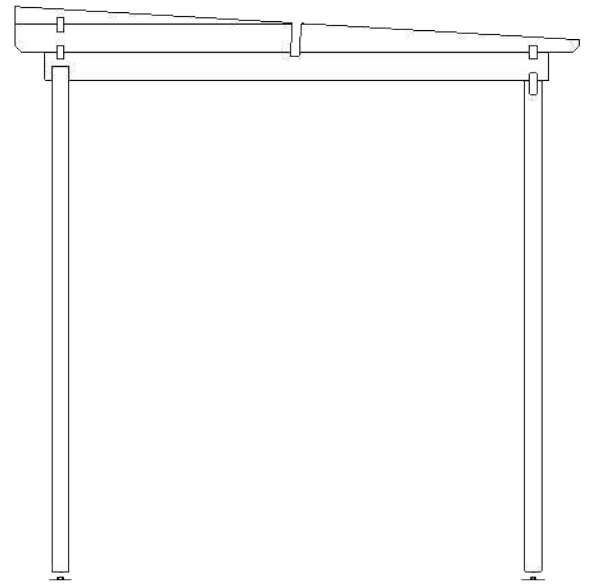
Wall B

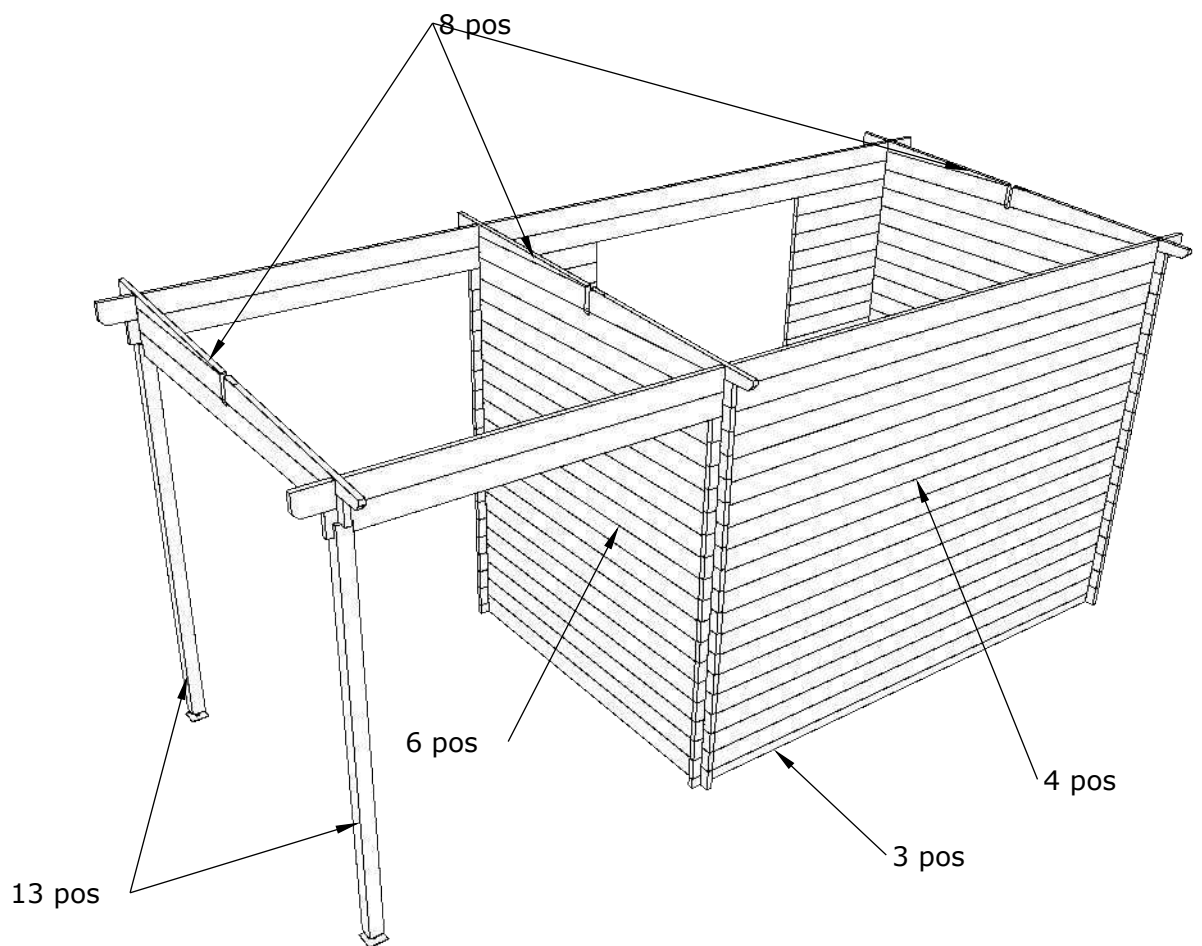
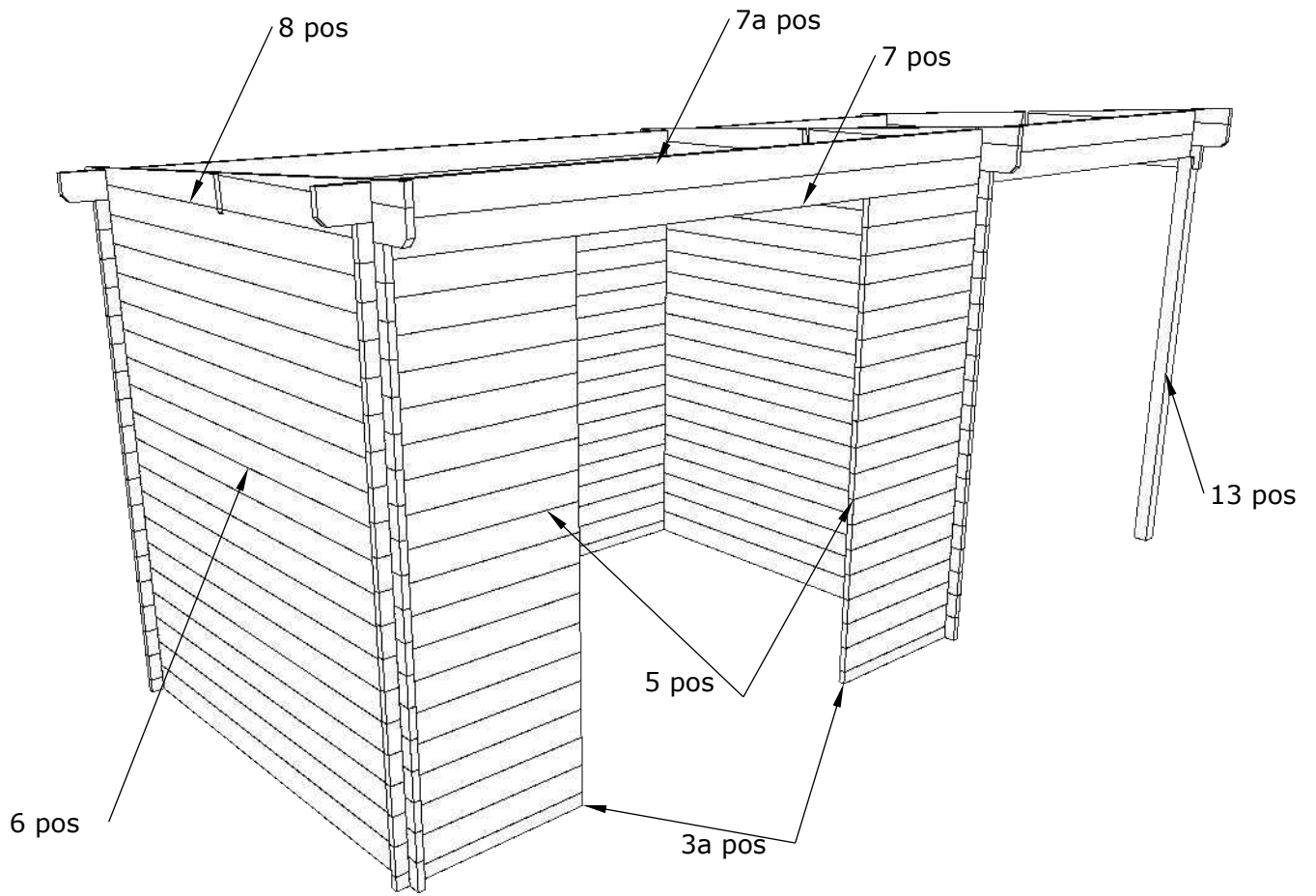


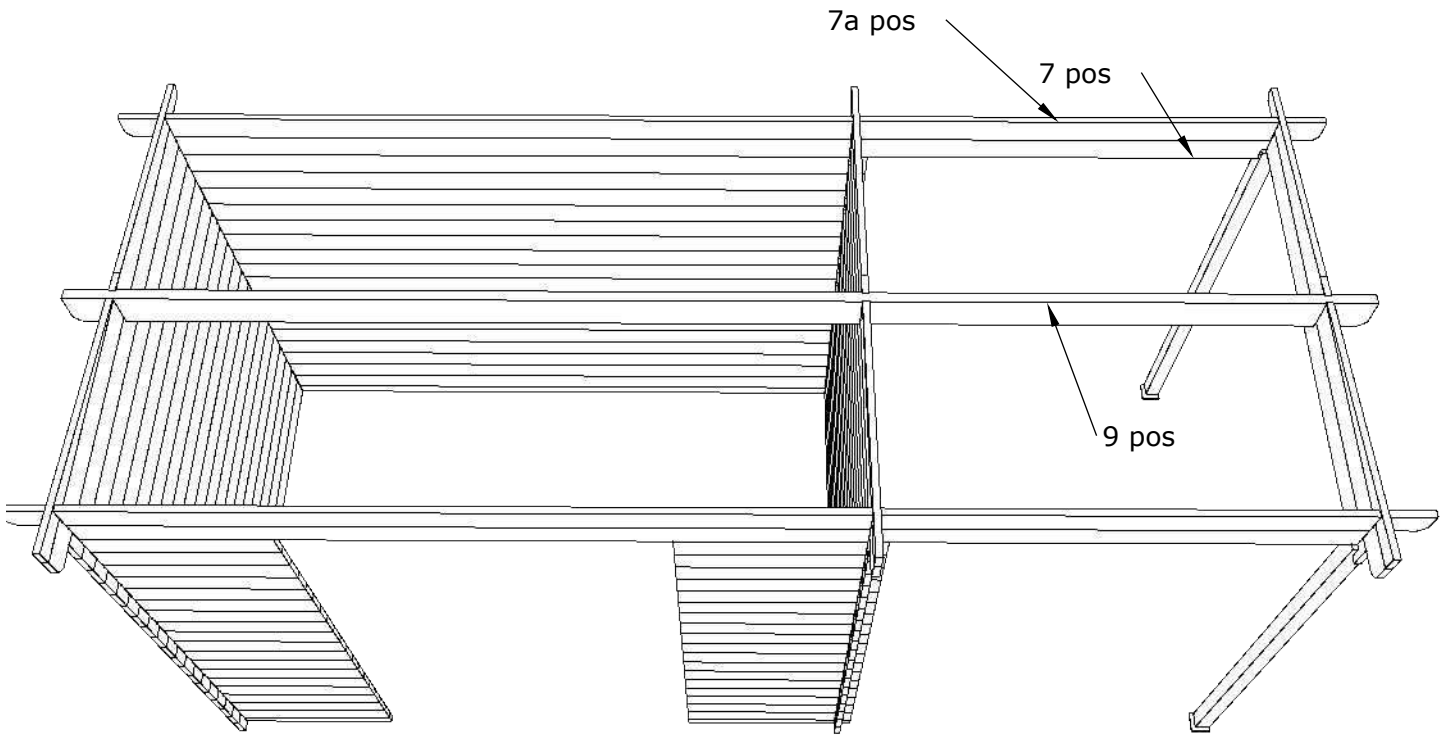
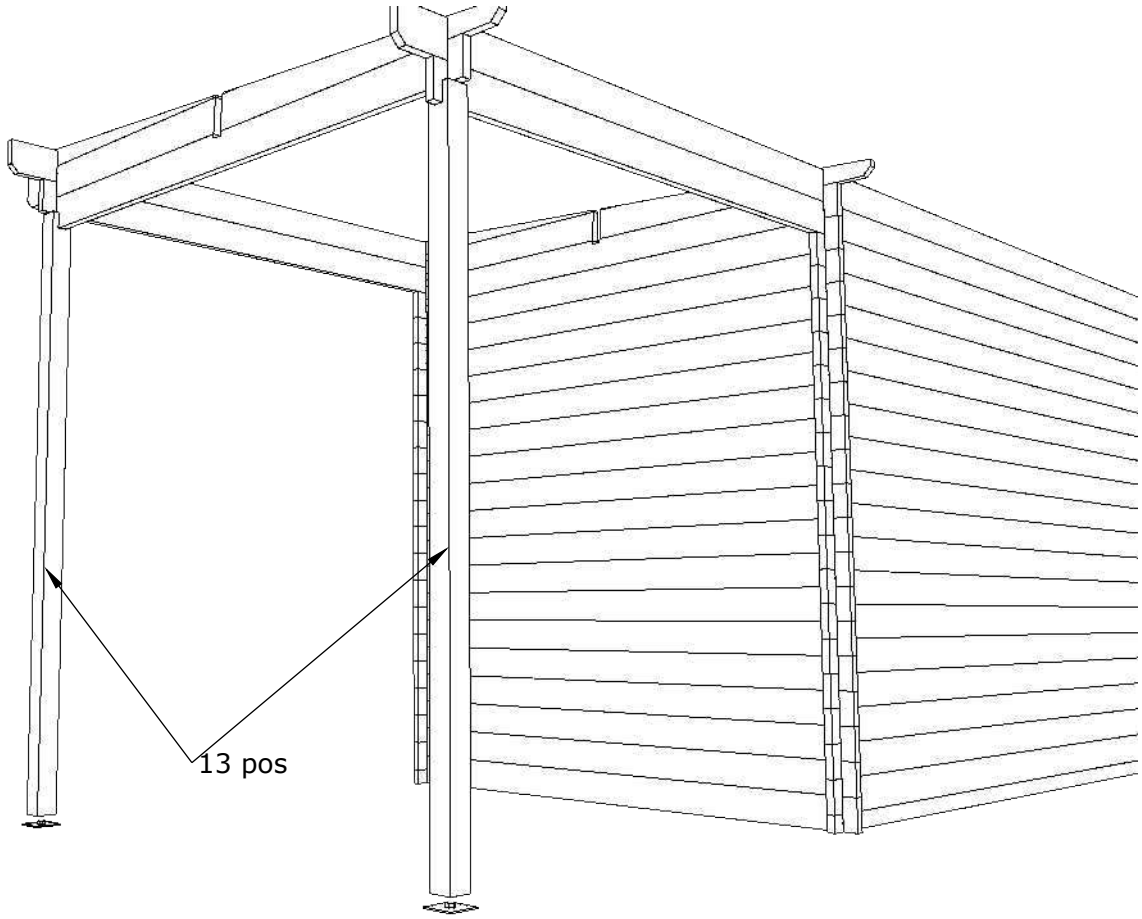
Wall C=D

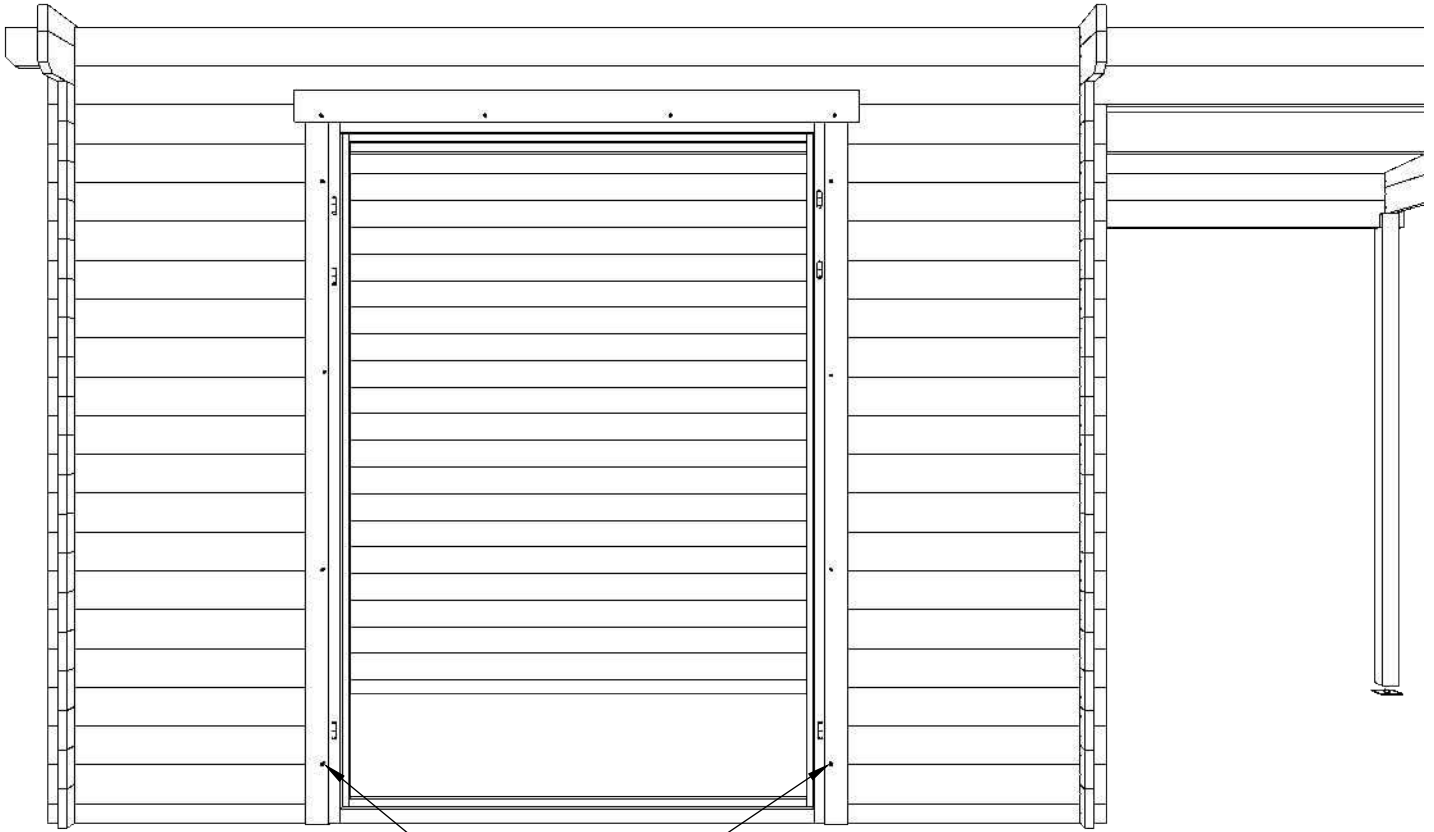


Wall E

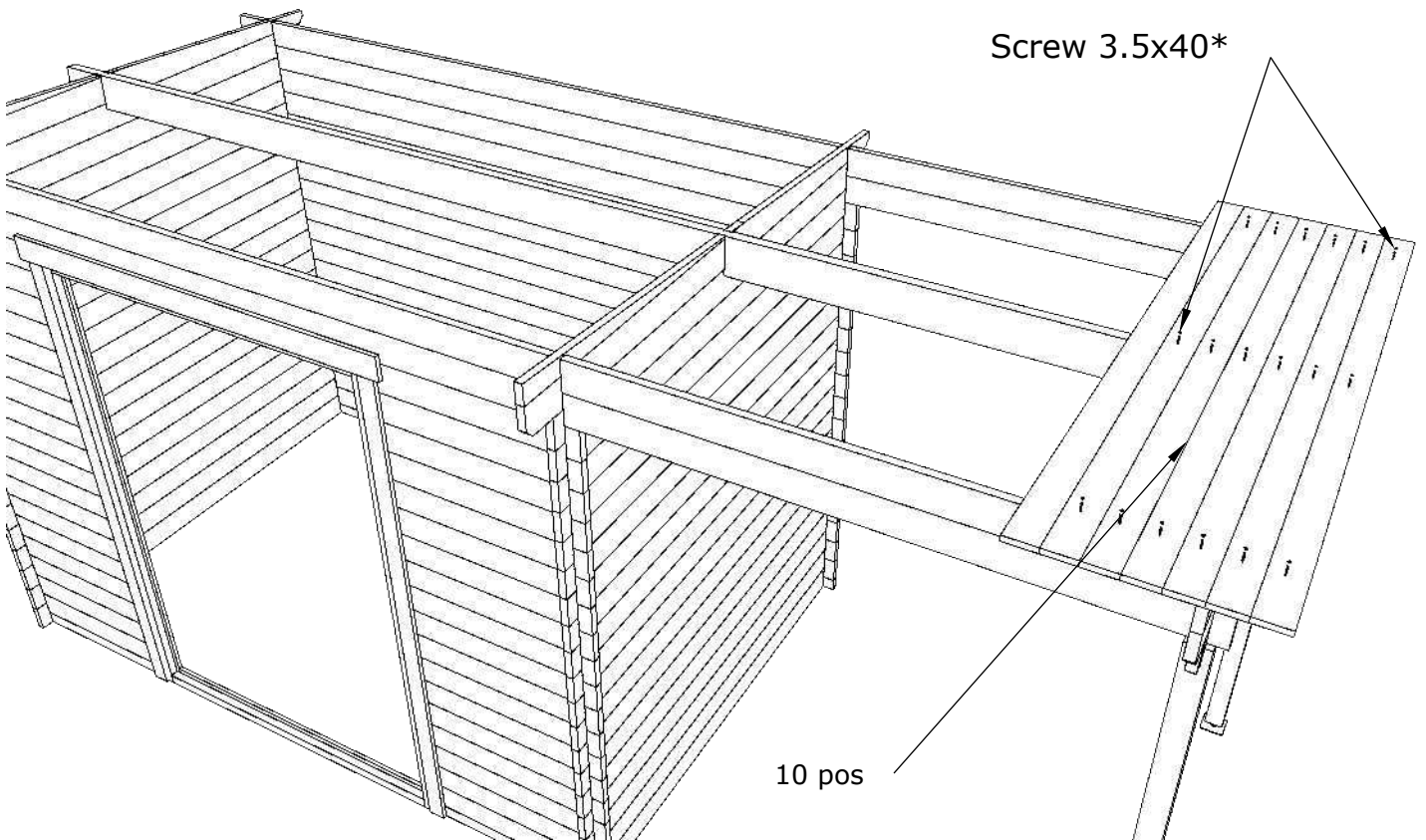








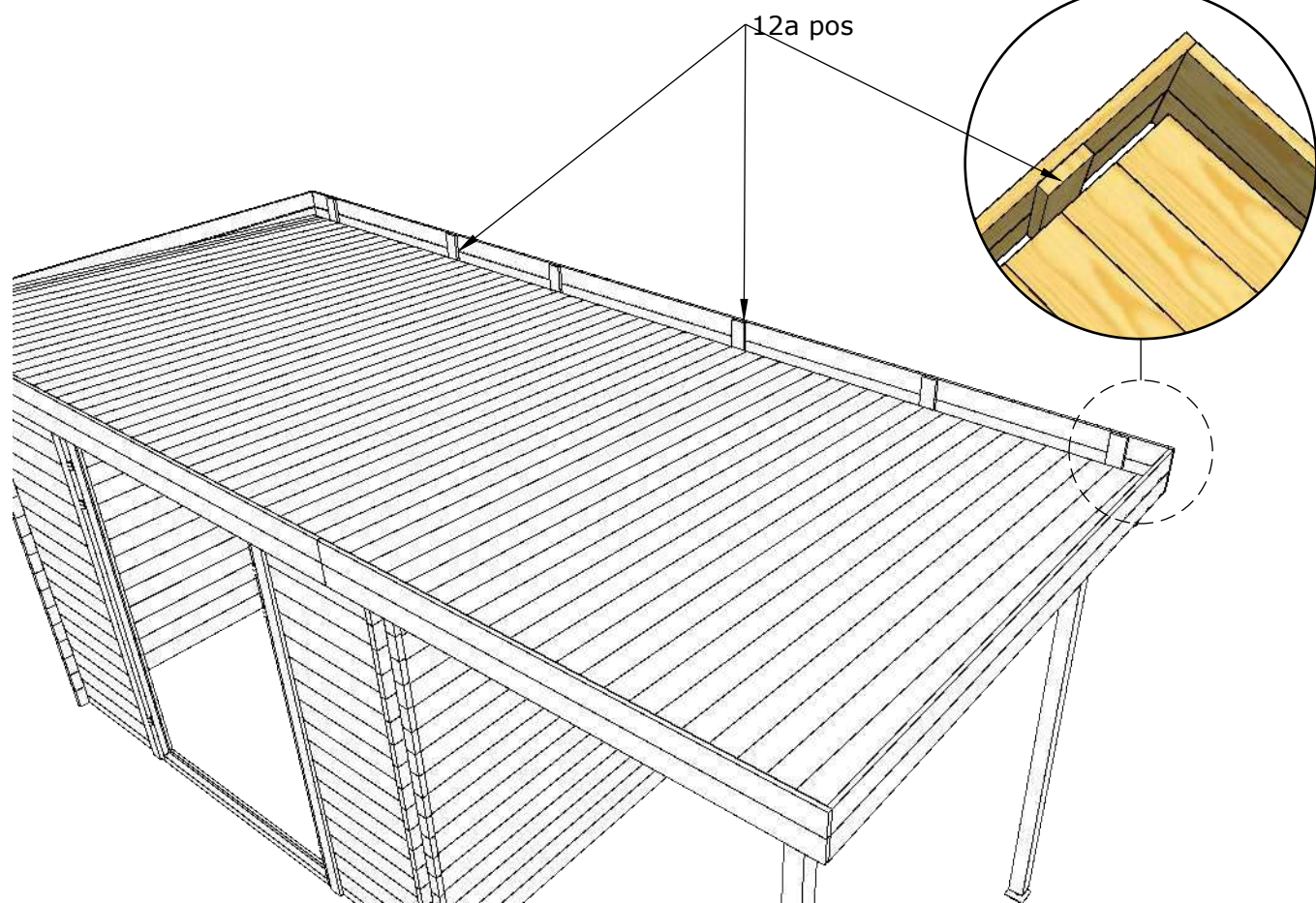
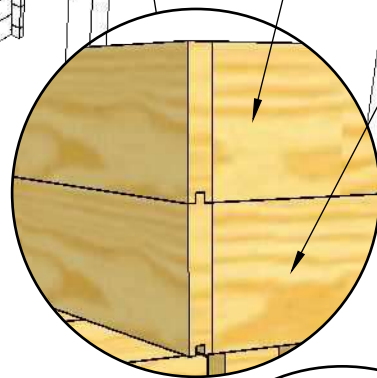
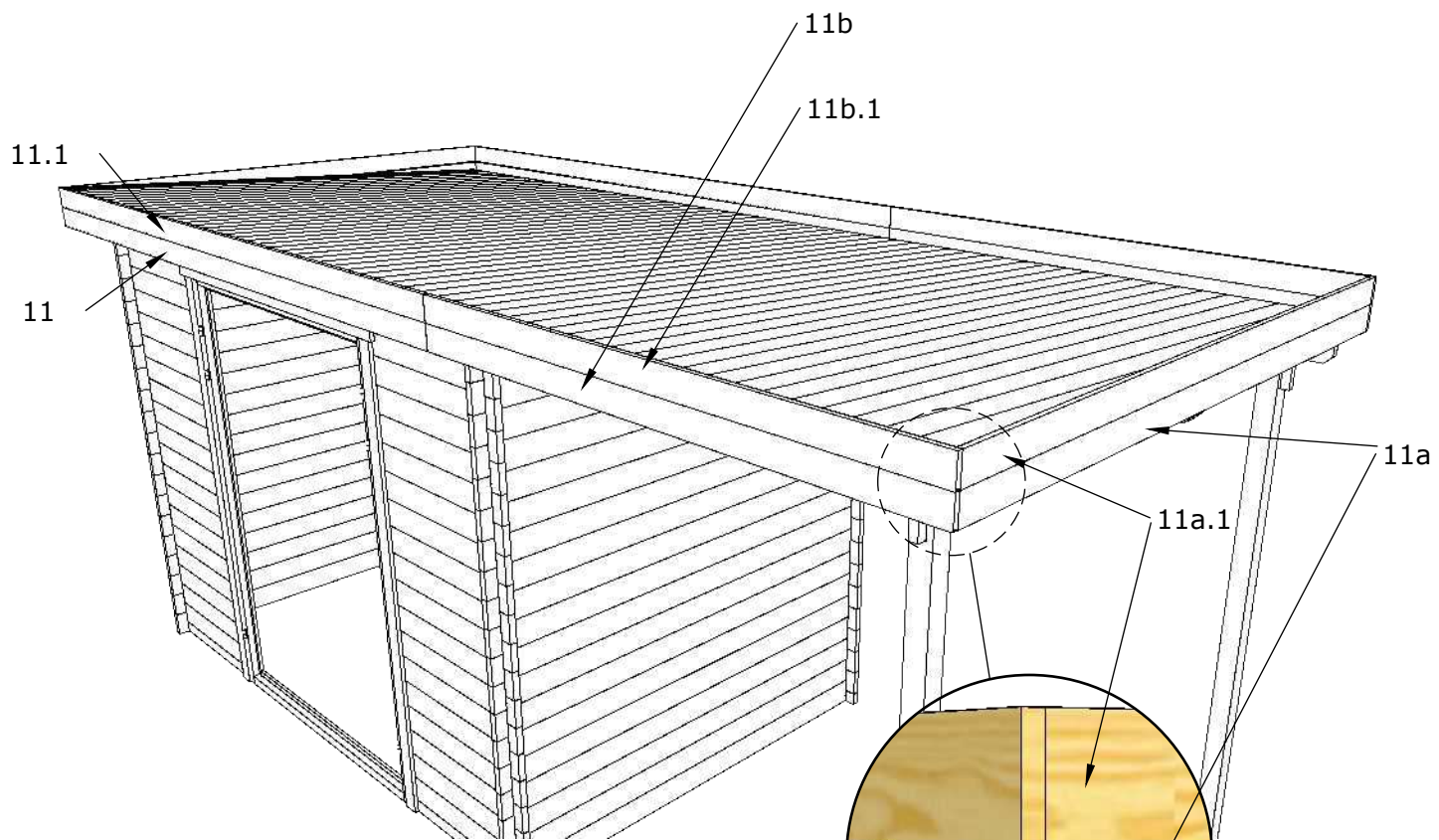
Screw 3.5x40*



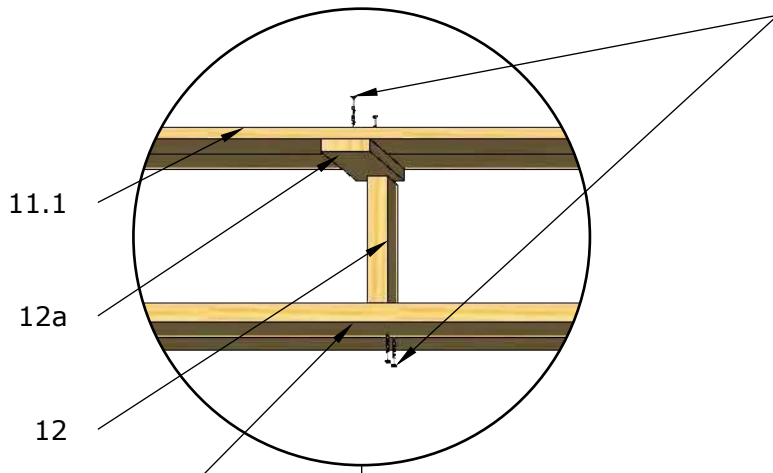
Screw 3.5x40*

10 pos

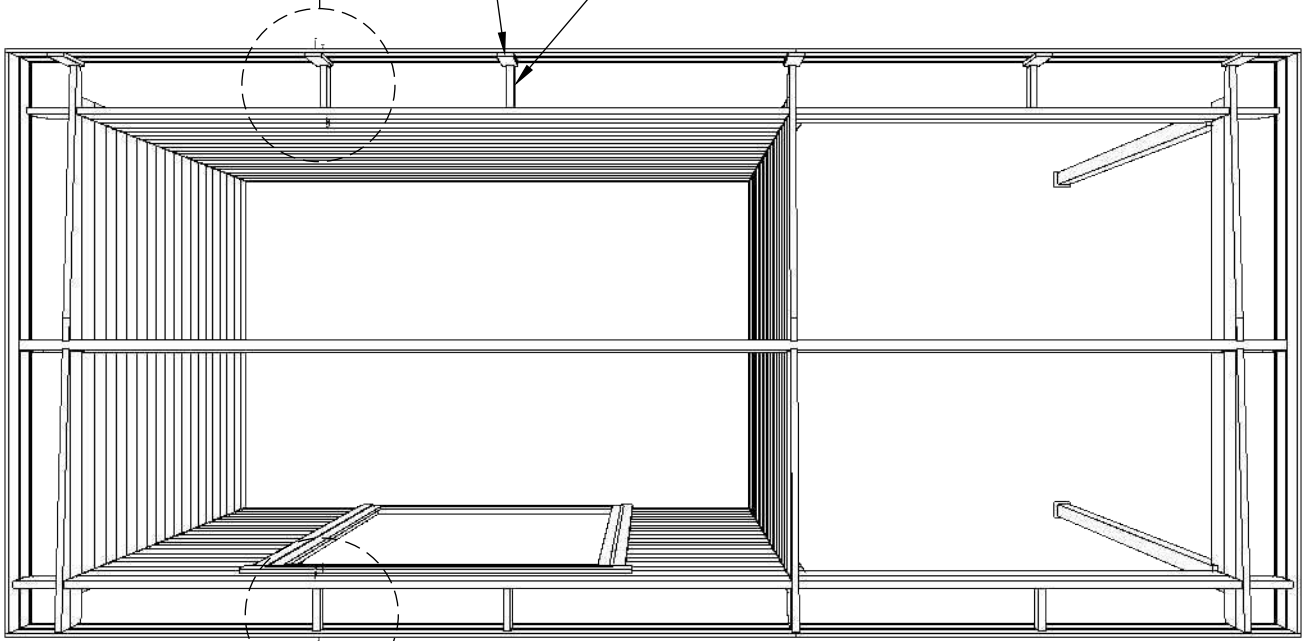
* - Screws are not included in the package



Screw 3.5x40*

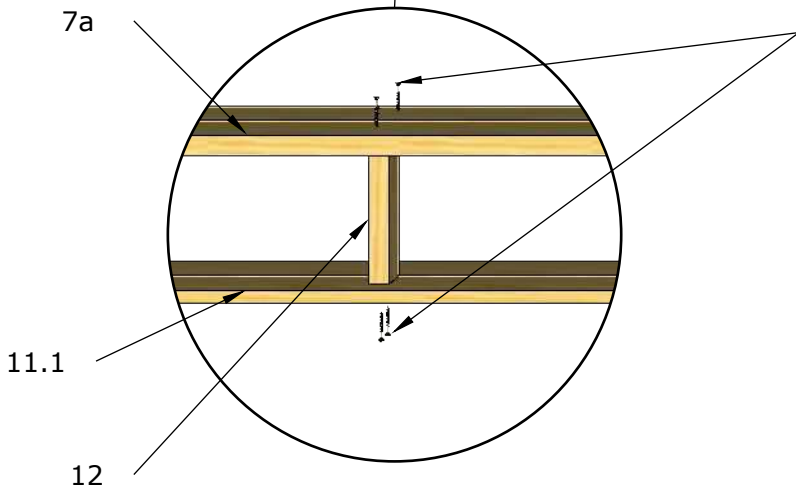


7a 12a 12

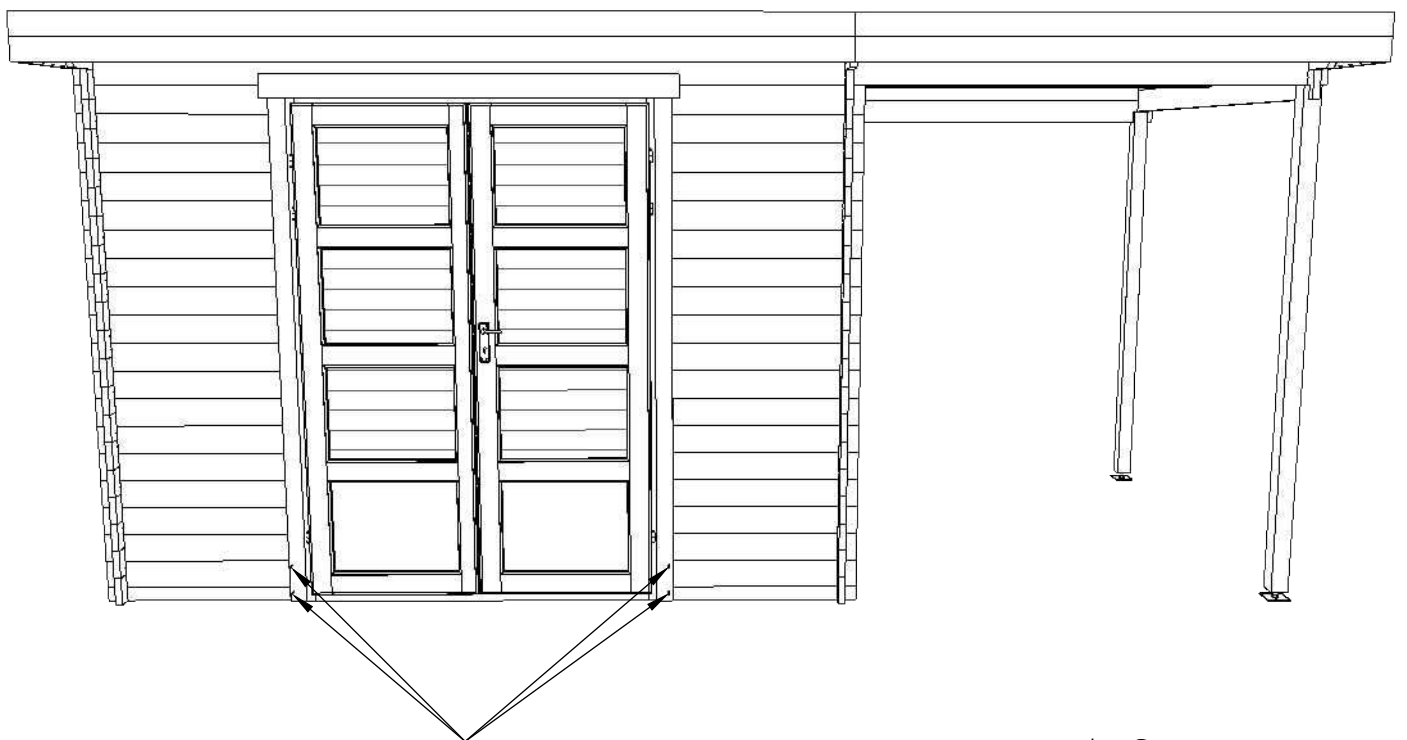
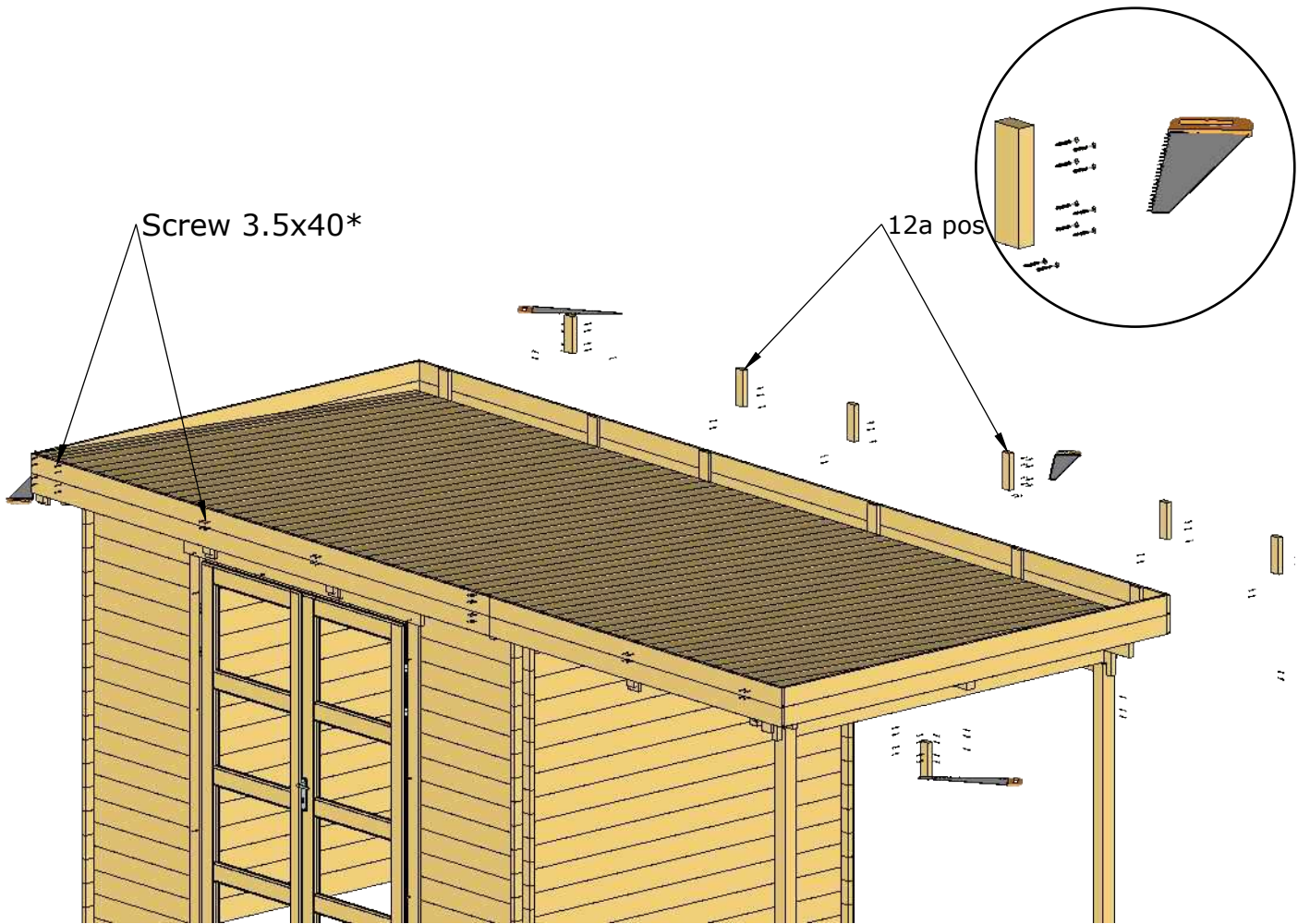


7a

Screw 3.5x40*



* - Screws are not included in the package



* - Screws are not included in the package

The guide is illustrative. This guide is not project specification.

